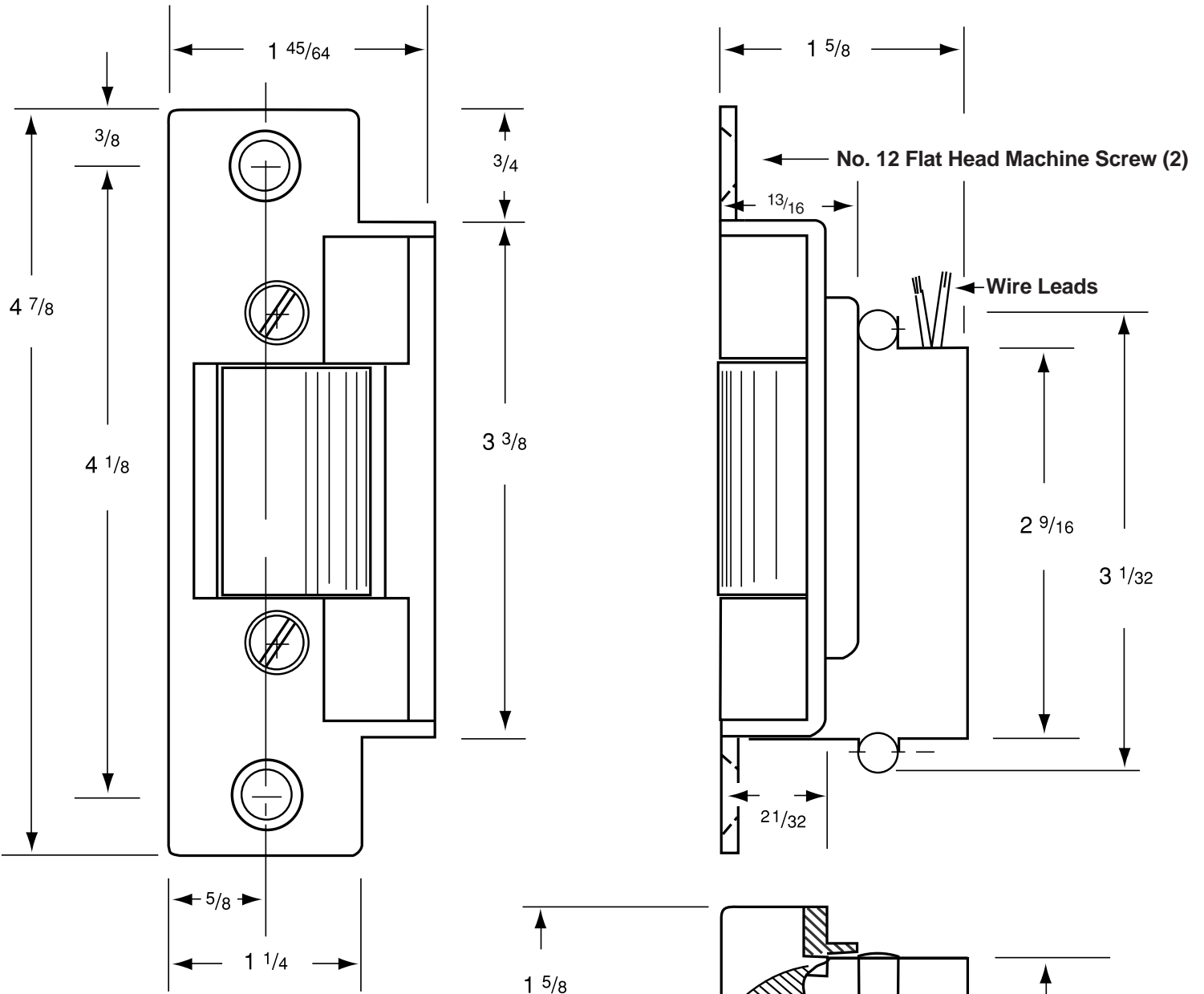


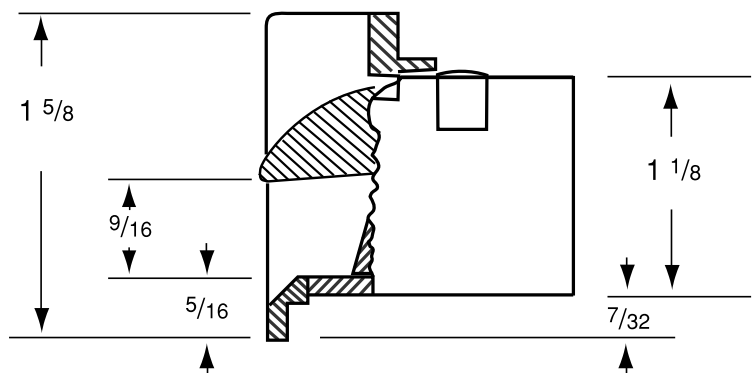
Cat. No. 12

Application

For use in new or replacement installations in metal jambs. Use with locksets having up to 9/16" throw.



Compatible Locksets			
Accurate	62, 66, 76, 7800	Lori	80/8200, 81/8300
Adams Rite	4500, 4700, 8300, 8400	Marks	110, 180
Arrow	C, H, M	Medeco	Embassy
Best	5K, 7K, 8K, 6TDL, 8TDL	National	400
Corbin	400, 1400, 6600, 5700	PDQ	SH, SR, SV, SX
Dexter	Dexlock, Duralock	Russwin	400, 3400, 4300, 5700
Dominion	300, 400, 5000	Sargent	6G, 7G, 8G, 9G
Falcon	A, BA, D, E, S, X	Schlage	A, B, C, D, F
Harlock	49/5900, 6900	Weiser	A, BA, D, E
Kwikset	400, 500, 582, 583	Weslock	600, 1100, 1300
Lockwood	HD, S, 930	Yale	53/54/55/5700



Note: **COMPATIBLE LOCKSET** designations are offered as a convenience only; reference should be made to manufacturer's catalogs for complete data as to exact equivalents. Caution must be taken in the alignment of locks with latchbolts (only) when used with our electric strike. Lee Electric, Inc. assumes no liability for differences between items compared.