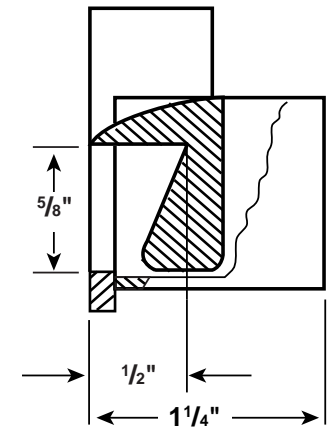
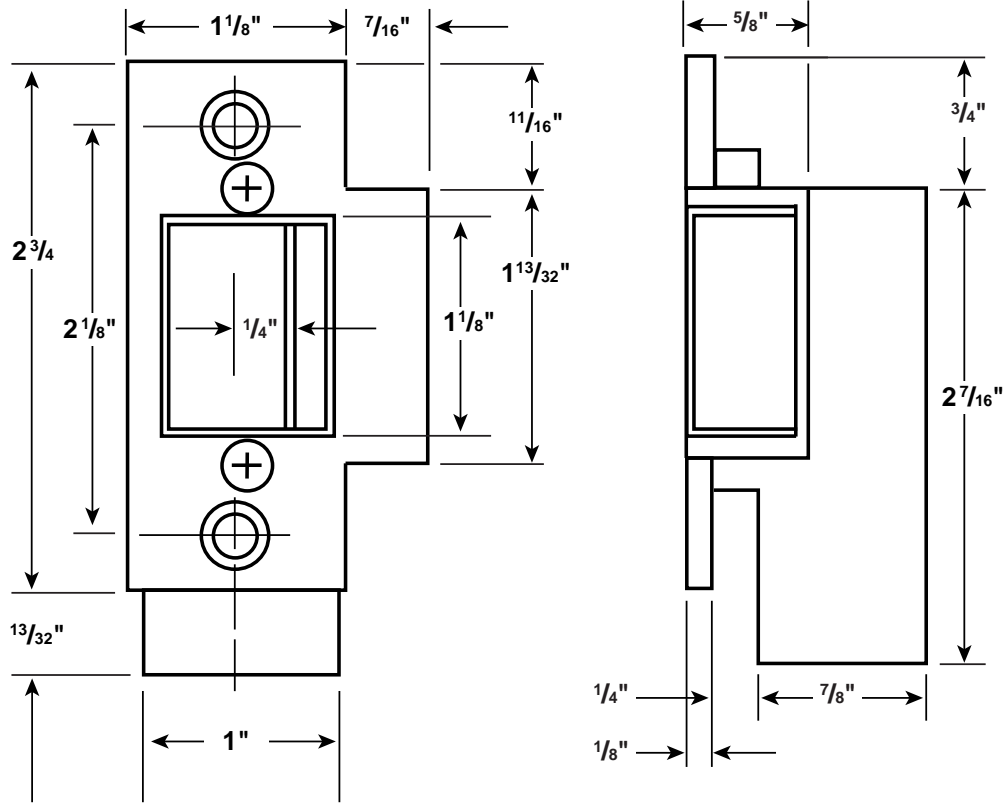


# Cat. No. 14

## Application

For use in new or replacement installations in metal jambs.  
Use with locksets having up to 1/2" throw.



Compatible Locksets			
<b>Accurate</b>	62, 66, 76	<b>Lori</b>	80/8200, 81/8300
<b>Adams Rite</b>	4500, 4700, 8300, 8400	<b>Marks</b>	110, 180
<b>Arrow</b>	C, H, M	<b>Medeco</b>	Embassy
<b>Best</b>	5K, 7K, 8K, 6TDL, 8TDL	<b>National</b>	400
<b>Corbin</b>	400, 1400, 6600, 5700	<b>PDQ</b>	SH, SR, SV, SX
<b>Dexter</b>	Dexlock, Duralock	<b>Russwin</b>	400, 3400, 4300, 5700
<b>Dominion</b>	300, 400, 5000	<b>Sargent</b>	6G, 7G, 8G, 9G
<b>Falcon</b>	A, BA, D, E, S, X	<b>Schlage</b>	A, B, C, D, F
<b>Harlock</b>	6900	<b>Weiser</b>	A, BA, D, E
<b>Kwikset</b>	400, 500, 582, 583	<b>Weslock</b>	600, 1100, 1300
<b>Lockwood</b>	HD, S, 930	<b>Yale</b>	53/54/55/5700

Note: **COMPATIBLE LOCKSET** designations are offered as a convenience only; reference should be made to manufacturer's catalogs for complete data as to exact equivalents. Caution must be taken in the alignment of locks with latchbolts (only) when used with our electric strike. Lee Electric, Inc. assumes no liability for differences between items compared.